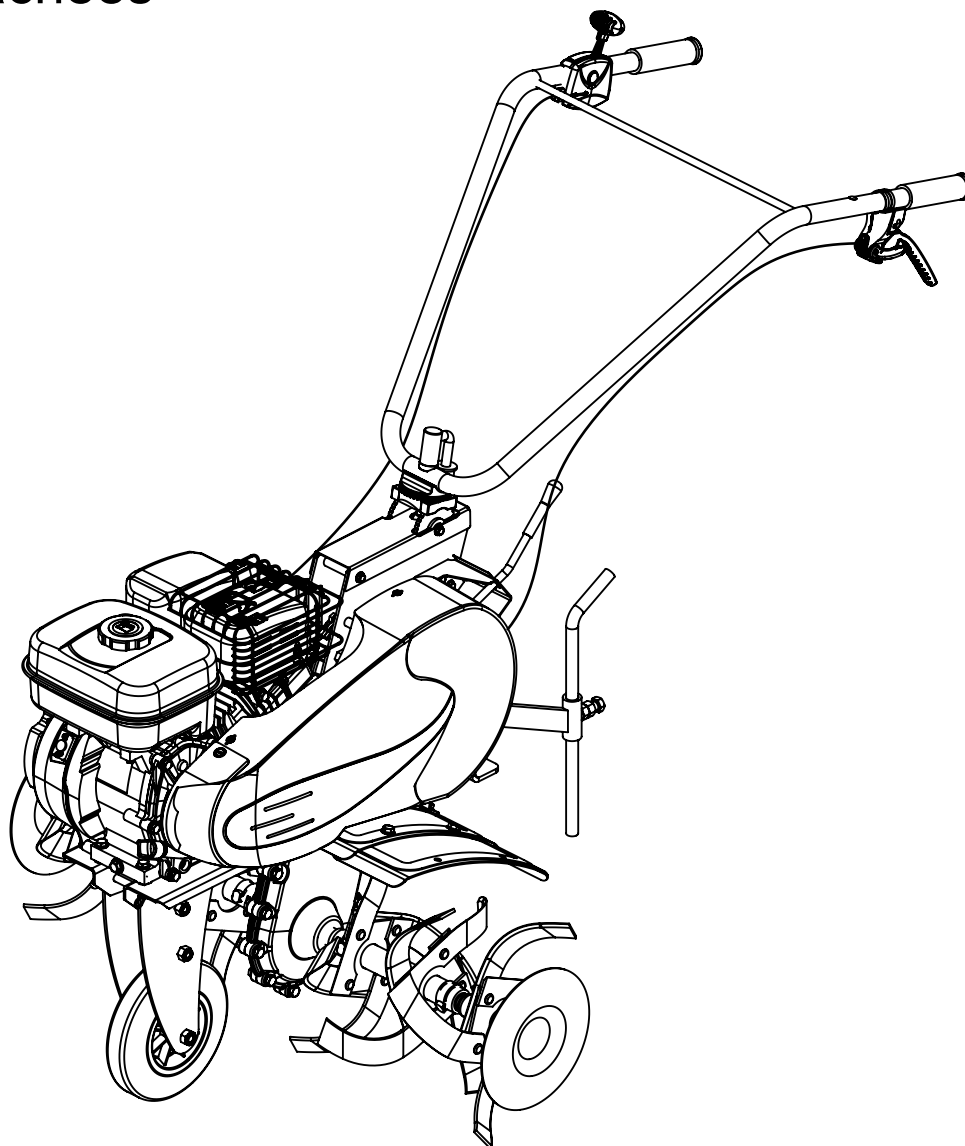


TF 536

Spare parts
Pièces détachées

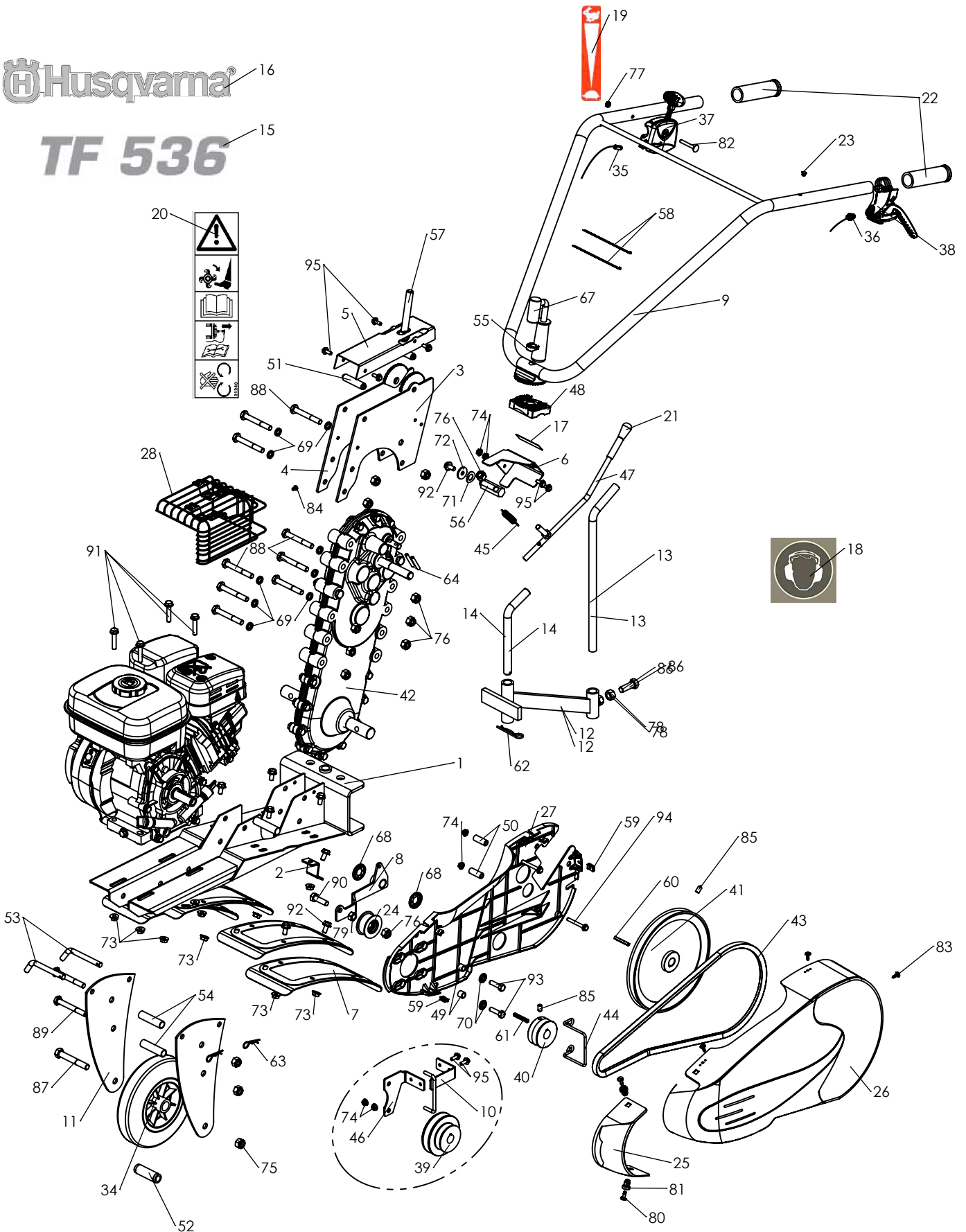


REPAIR PARTS

TILLER - MODEL NO. TF 536

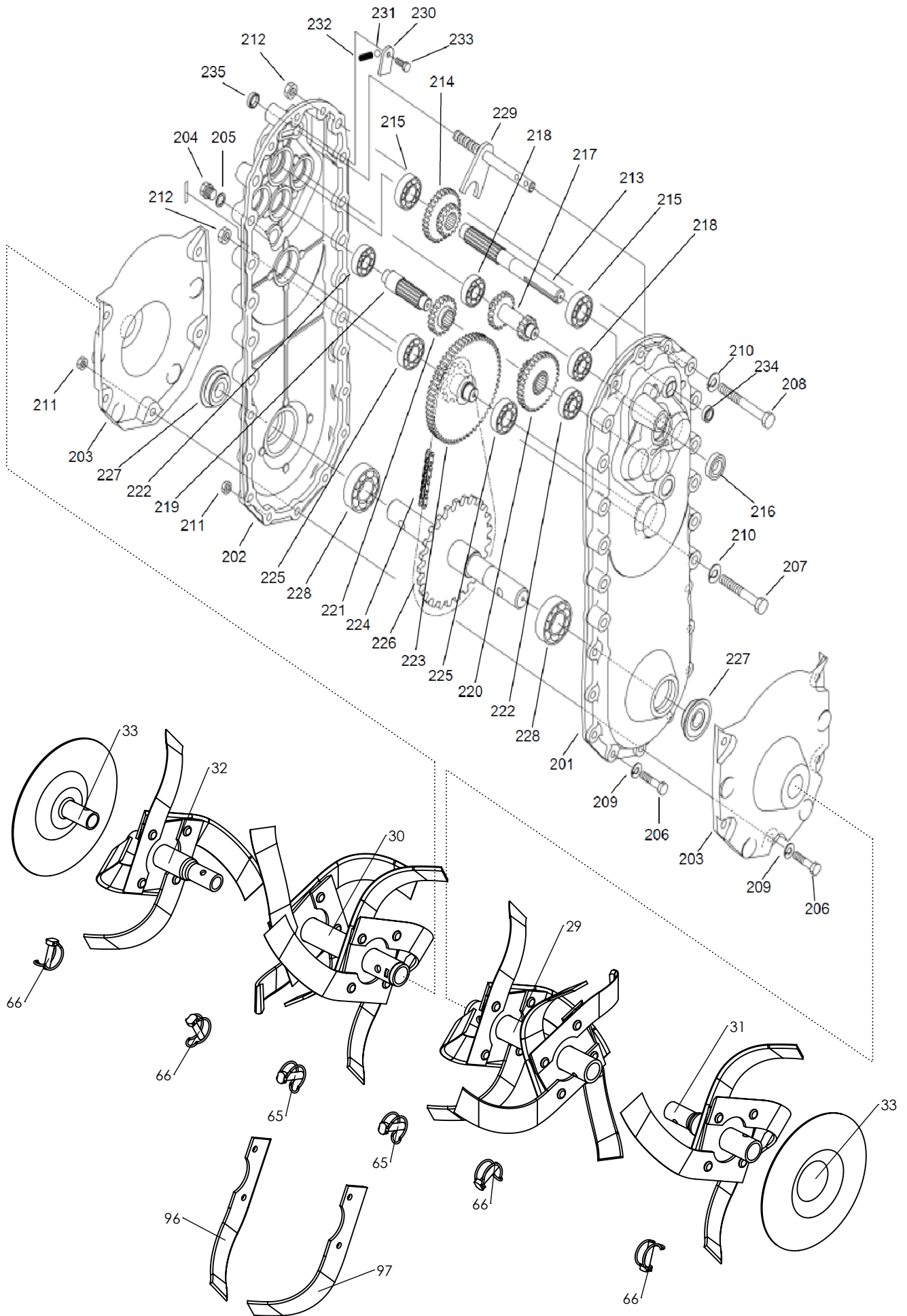
Husqvarna® 16

TF 536 15



REPAIR PARTS

TILLER - MODEL NO. TF 536



REPAIR PARTS

TILLER - MODEL NO. TF 536

KEY N°	REF.	PART N°	DESCRIPTION	DESIGNATION	QTY QIE
1	3502030601	580 53 60-01	FRAME OF QUATRO Grey (627)	CHASSIS QJV2 Gris (627)	1
2	3502010105	543 30 96-01	BRACKET FOR TINE GUARD QJ	CHAPE SUPPORT AILE QUATRO Zinguée	2
3	3502030602	580 53 83-01	LEFT BRACKET QUATRO Grey (627)	POTENCE GAUCHE QJV2 Gris (627)	1
4	3502030603	580 53 84-01	Right handlebar grip Grey (627)	POTENCE DROITE QJV2 Gris (627)	1
5	3502030658	580 53 85-01	CAP BRACKET Grey(627)	CHAPEAU POTENCE QJV2 Gris(627)	1
6	3502030659	580 53 86-01	QUADRANT QJV2 Grey (627)	GRILLE DE VITESSE x QJV2 Gris (627)	1
7	3502010601	544 30 77-01	Grey (627) fine guard	AILE PROTECTION GRIS (627)	4
8	3502010107	544 30 97-01	PLATE FOR CLUTCH LEVER QJ	LEVIER EMBRAYAGE QJ	1
9	3502010617	544 30 75-01	HANDLEBAR QUATRO Grey (627)	GUIDON QUATRO JUNIOR Gris (627)	1
10	3502010206	580 53 66-01	BELT GUIDE FOR DOUBLE PULLEY	Guide courroie adapt Snow blade xQ Junior xZINGUEX	1
11	3502010318	544 30 80-01	TRANSPORT WHEEL PLATE QUATRO BLACK RAL9005	PLATINE ROUE DE TRANSP QJ NOIR RAL9005	2
12	3502010319	544 30 92-01	Adjustable spur Ø16 arm	CORPS BEQUILLE Ø16 xNOIRx	1
13	3502010320	544 30 93-01	Black spur Ø16	BEQUILLE Ø16 xNOIRx	1
14	3502010205	544 30 95-01	SPUR PIN Ø16	BROCHE FIXATION BEQUILLE Ø16 xZINGUEEx	1
15	0503060025	580 53 87-01	STICKER HUSQVARNA TF536	ETIQ HUSQVARNA TF536	1
16	0503060022	580 32 06-01	STICKER HUSQVARNA	ETIQUETTE HUSQVARNA	1
17	0503000083	580 53 82-01	SPEED LABEL QJV2	ETIQ GRILLE VITESSE QJV2	1
18	0503000077	577 46 33-01	SAFTY STICKER EARS PROTECTION	ETIQ. "SECURITE" 31x31 MM PROTECTION AUDITIVE	1
19	0503000045	519 64 66-80	STICKER THROTTLE CONTROL STOP-MIN-MAX	ETIQ. POIGNEE GAZ (AVEC STOP)	1
20	0503000036	531 00 85-40	STICKER SECURITY	"ETIQ. ""SECURITE 5 LOGOS""Xce	1
21	0341000080	580 53 62-01	GEAR SHIFT LEVER HANDLE	POIGNEE LEVIER VITESSE	1
22	0341000037	544 31 14-01	HAND SIDE GRIP	POIGNEE PLASTIQUE DIAM 25 CB	2
23	0341000034	523 00 62-01	GATE PIN 10X7X6.5 BLACK	OBTURATEUR 10X7X6.5 NOIR	1
24	0341000003	519 65 34-57	CLUTCH RUNNER ROUL 6200 ZZ	GALET 2 EPAULEMENTS ROUL 6200 ZZ	1
25	0340020032	580 53 70-01	BELT COVER FRONT QJV2 ORANGE RAL2009	CAPOT AVANT QJV2 ORANGE RAL2009	1
26	0340020031	580 53 69-01	BELT COVER QJV2 ORANGE RAL2009	CAPOT BOMBE QJV2 ORANGE RAL2009	1
27	0340020025	580 53 68-01	PLASTIC COVER PLATE QJV2	CACHE INTERIEUR QJV2	1
28	0330032001	531 00 85-82	EXHAUST GRILL EP	GRILLE ECHAPPEMENT EP	1
29	0320010020	544 31 09-01	LEFT TWIN TINES D25 HELICOID BLADE (40X4)	FRAISE DEPART MONO GAUCHE D25 HEL 40X4	1
30	0320010019	544 31 10-01	RIGHT TWIN TINES D25 HELICOID BLADE (40X4)	FRAISE DEPART MONO DROITE D25 HEL 40X4	1
31	0320010008	531 00 85-22	LEFT ADDITIONAL TINE D25 HELICOID BLADE (40X4)	FRAISE ADDIT HEL 40X4 GAUCHE	1
32	0320010007	531 00 85-23	RIGHT ADDITIONAL TINE D25 HELICOID BLADE (40X4)	FRAISE ADDIT HEL 40X4 DROIT	1
33	0320010001	519 65 33-62	DISK D25	DISQUE D25 PRIMO	2
34	0309000014	531 00 82-62	BLACK WHEEL D200 BORE 20 LG.60	ROUE 200 ALES 20 MOY 60 NOIR	1
35	0308040052	577 45 31-01	Throttle cable Lg 1250mm stroke 60mm	CABLE GAZ x1250 xLF60 Z0° MANETTE LGC	1
36	0308020052	577 46 37-01	CLUTCH CABLE LG1050 CF133 LAKS LEVER x CLIP TIP	CABLE EMB Lg 1050 CF 133 LAKS EMB CLIP	1
37	0307020023	577 45 30-01	THROTTLE LEVER LGC BLACK KNOB RAL9005	MANETTE GAZ LGC POMMEAU NOIR RAL9005	1
38	0307010034	577 54 87-01	HANDLELEVER LAKS C27 D25 CLUTCHING SYMBOL	LEVIER EMB LAKS C27 GUID D25 TEMPO EMBRAYAGE	1
39	0306060026	580 53 65-01	QUATRO DOUBLE PULLEY GROOVE	POULIE MOTEUR DOUBLE KIT SNOW BLADE	1
40	0306060007	519 65 32-90	ENGINE PULLEY D60 BORE 19,06	POULIE MOTEUR D60 ALES 19,06	1
41	0306060001	519 65 32-92	TRANSMISSION PULLEY	POULIE CARTER 220 QUATRO MDLE	1
42	0306040016	580 53 61-01	GEAR BOX 2 FRONT SPEED+1 REVERSE SPEED	PONT TRANS 2AV + 1 ARR QUATRO JUNIOR BV2R	1
43	0306030001	519 65 32-42	TRANSMISSION PULLEY	COURROIE BAREBACK A46 BBK	1
44	0305030008	544 31 12-01	DRIVE BELT QUATRO	GUIDE COURROIE QUAT xGRANJAX	1
45	0305010013	580 53 64-01	LOCKING SPRING	RESSORT TR 22x60 18/10 GALVA	1
46	0304000270	580 53 67-01	SUPPORT FOR DRIVE BELT SNOW BLADE	SUPPORT GUIDE COUR SNOW BLADE	1
47	0304000268	580 53 63-01	GEARSHIFT LEVER	LEVIER DE VITESSE QJV2	1
48	0303000007	519 65 34-15	FILLER PIECE	PIECE INTERMEDIAIRE Avec logem ergot rotation	1
49	0302020096	580 53 73-01	SPACER D13 X D9 X 11	ENTRETOISE 13 X 9 X L 11	2
50	0302020095	580 53 72-01	SPACER D12XD6.2X32Z	ENTRETOISE 12x6.2x32Z	2
51	0302020093	580 53 71-01	STEP PIN D14 TAP M6 xZNCR3x	ENTR. POTENCE QJV2 xZNCR3x	2
52	0302020081	575 36 08-01	PLASTIC SPACER 20x12.5x61.5	ENTR. 20X12.5x61.5 xPOM	1
53	0302020052	544 30 98-01	PIN TRANSPORT WHEEL Ø10	BROCHE ROUE TRANSPORT Ø10	2
54	0302020051	544 31 00-01	SPACER D16 X D13 X 62	ENTR. 16x13x62 Z	2
55	0302020037	519 65 34-14	TIGHTENING LEVER SPACER	ENTRETOISE POIGNEE SERRAGE	1
56	0302010098	580 53 75-01	PIN FOR GEARSHIFT LEVER	AXE LEVIER DE VITESSE x QJV2 x	1
57	0302010028	580 53 74-01	HANDLEBAR FIXATION PIN	AXE PIECE INTER FIX. GUIDON	1
58	0301060003	544 31 11-01	COLLAR	COLLIER POLYAM.3.6 X 140 NOIR	2
59	0301050001	519 65 34-25	CLIPS 4.2	CLIPS PRESTOLE Z/VIS 4.2 EP 4	4
60	0301040004	519 65 32-01	KEY 5X5X40 TOL h 9 - XC 48	CLAVETTE 5 X 5 X 40 BTS DROIT TOL h 9 - XC 48	1
61	0301040001	519 65 30-21	KEY 4.76X4.76X40 DRO TOL h 9 - XC 48	CLAVETTE 4.76X4.76X 40 BTS DRO TOL h 9 - XC 48	1
62	0301030002	519 65 31-66	BETA PIN BETA 3 Z	GOUPILLE BETA3	1
63	0301030001	519 65 12-20	CLIP PIN BETA 2 Z	GOUPILLE BETA 2 Z x 50	2
64	0301020014	580 53 76-01	COTTER-PIN 6X40 HBK	GOUPILLE HBK 6x40 ISO 8748ST	2
65	0301010014	577 45 36-01	CLIP PIN D10 x 36	GOUPILLE CLIPS 10 x 36	2
66	0301010013	577 45 35-01	CLIP PIN D8 x 36	GOUPILLE CLIPS 8 x 36	4
67	0300801401	531 00 82-37	HANDLEBAR TIGHTENING LEVER	POIGNEE SERRAGE M14x150 EMBOUT NOIR	1
68	0300461601	735 58 71-00	STARLOCK WASHER D16	RONDELLE STARLOCK DIA 16	2
69	0300451001	519 65 31-60	Spring washer Ø10	RONDELLE GROWER 10 Z	9
70	0300430801	544 31 49-01	CONTACT WASHER 8	RONDELLE CONTACT M8 NF E 25511	2
71	0300421201	580 53 81-01	ONDUFLEX SPRING WASHER D12	ROND. ELAST ONDUFLEX D12 Z 2 ONDES DIN 137.B	1
72	0300410802	580 53 80-01	WASHER 8X26X3	RONDELLE 8 X 24 X 3	1
73	0300260801	519 65 34-30	NUT H M8 Z NOTCHED SHOULDER	ECROU HM 8 ZEMB CR DIN 6923-8	14
74	0300260601	519 65 34-32	NUT H M6 Z NOTCHED SHOULDER	ECROU HM 6 ZEMB CR DIN 6923	6
75	0300211201	752 25 50-51	BLOCKING NUT M 12 Z	ECROU FREIN M 12 Z DIN 985/8	1
76	0300211001	519 65 34-58	BLOCKING NUT M 10 Z	ECROU FREIN M 10 Z DIN 985/8	13
77	0300210602	732 26 16-01	BLOCKING NUT M 6 Z	ECROU FREIN M 6 Z DIN 985-8	1
78	0300201202	501 99 23-01	NUT HM 12Z	ECROU H.U. M 12 Z DIN 934-8	1

REPAIR PARTS

TILLER - MODEL NO. TF 536

KEY N°	REF.	PART N°	DESCRIPTION	DESIGNATION	QTY QTE
79	0300201002	519 65 34-56	NUT HM 10Z	ECROU H.U. M 10 Z DIN 934	1
80	0300091002	580 53 79-01	CAPTIVE SCREW STUD	VIS IMPERDABLE MALE 10	2
81	0300091001	580 53 78-01	CAPTIVE SCREW RECEPTACLE	VIS IMPERDABLE CARRE 10	2
82	0300080610	577 45 38-01	SCREW TBCC M6X45 Z	VIS TRCC 6 X 45/20 Z Din603	1
83	0300080405	519 65 34-26	SCREW POZI 4.2X16Z	VIS TOLE TETE POELIER D11 POZI Cr 4.2X16 Z	4
84	0300080404	576 14 52-01	SHEET SCREW TCB 4.8 X 9.5	VIS TOLE TCB 4.8X9.5 DIN 7981	1
85	0300040801	728 69 23-00	SCREW ST HC M8X16 DIN 914 45H	VIS STHC 8 X 16 N BT POINTU DIN 914 45H	1
86	0300011208	519 65 31-30	SCREW H M12X35 Z	VIS H 12 X 35 Z DIN933/6.8	1
87	0300011206	519 65 31-31	SCREW H M 12X80/30 Z ISO4014	VIS H M 12x80/30 Z ISO 4014 CL 6.8	1
88	0300011028	580 53 77-01	Screw H M10x75 z	VIS H 10X75/26 Z DIN 931/8.8	9
89	0300011013	519 65 30-39	SCREW H M10X80 Z	VIS H 10 X 80/26 Z DIN931 CL6.8	2
90	0300011003	519 65 34-55	SCREW HM 10X35Z FST	VIS H 10 X 35 FST Z NFEN 24017	1
91	0300010817	519 65 34-13	SCREW H M8 X 40	VIS H 8x40 Z EMB CR DIN 6921	4
92	0300010815	531 00 82-02	SCREW H M8X16 Z NOTCHED SHOULDER CL 6.8	VIS H 8x16 Z EMB CR DIN 6921 CL 6.8	11
93	0300010807	501 99 35-01	SCREW H 8 X 30/22 Z DIN 931 / 6.8	VIS H 8 X 30/22 Z DIN 931/6.8	2
94	0300010618	577 45 37-01	SCREW HM 6X50 NOTCHED SHOULD	VIS H 6x50 Z EMB CR DIN 6921	2
95	0300010609	519 65 34-35	SCREW HM 6X16 Z NOTCHED SHOULD	VIS H 6x16 Z EMB CR DIN 6921	8
96	0001000030	531 00 85-47	Left spiral blade	COUTEAU HEL 40X4 GAUCHE	1
97	0001000029	531 00 85-48	Right spiral blade	COUTEAU HEL 40X4 DROIT	1
201	0002011001	580 53 88-01	Case mission L	Carter G	1
202	0002011002	580 53 89-01	Case mission R	Carter D	1
203	0002011003	580 53 90-01	Cover	Renfort carter	2
204	0002011004	580 53 91-01	Plug M20x14	Bouchon d'huile M20x14	1
205	0002011005	580 53 92-01	Seal washer	Rondelle d'étanchéité M20	1
206	0300010844	580 53 93-01	Screw M8x35	Vis M8x35	12
207	0300011011	544 31 36-01	Screw M10x70	Vis M10x70	3
208	0300011028	580 53 94-01	Screw M10x75	Vis M10x75	9
209	0003000061	519 00 09-95	Spring washer M8	Rondelle grower M8	12
210	0300451001	519 65 31-60	Spring washer M10	Rondelle grower M10	12
211	0300200802	505 02 70-01	Nut M8	Ecrou M8	12
212	0300201002	519 65 34-56	Nut M10	Ecrou M10	12
213	0002011006	580 53 95-01	Shaft 1	Arbre 1	1
214	0002011007	580 53 96-01	Gear 16-30	Engrenage double (16 et 30 dents)	1
215	0002010226	501 99 63-01	Ball bearing 6203	Roulement 6203	2
216	0002011016	580 53 97-01	Oil seal TC173007	Joint d'étanchéité TC173007	1
217	0002011008	580 53 98-01	Shaft 2	Arbre 2	1
218	0002010076	544 17 68-01	Ball bearing 6202	Roulement 6202	2
219	0002011009	580 53 99-01	Shaft 3	Arbre 3	1
220	0002011010	580 54 00-01	Gear 16-34	Engrenage double (16 et 34 dents)	1
221	0002011011	580 54 01-01	Gear 20	Engrenage 20 dents	1
222	0002010076	544 17 68-01	Ball bearing 6202	Roulement 6202	2
223	0002011012	580 54 02-01	Shaft 4	Arbre 4	1
224	0306020018	580 54 03-01	Chain EK520	Chaîne EK520	1
225	0002010226	501 99 63-01	Ball bearing 6203	Roulement 6203	2
226	0002011013	580 54 04-01	Final shaft	Arbre de sortie	1
227	0002010086	531 00 94-75	Oil seal TCFY254011	Joint d'étanchéité TCFY254011	2
228	0001100124	580 54 05-01	Ball bearing 6205	Roulement 6205	2
229	0002011014	580 54 06-01	Shift shaft	Arbre intermédiaire	1
230	0002011015	580 54 07-01	Plate	Platine	1
231	0002010196	544 35 33-01	Ball (1/4in)	Bille (1/4in)	1
232	0002010237	501 99 74-01	Spring	Ressort	1
233	0300090602	504 05 27-01	Screw M6x16	Vis M6x16	1
234	0002011017	580 54 08-01	Oil seal	Joint d'étanchéité	1
235	0002011018	580 54 09-01	Seal cap	Bouchon d'étanchéité	1